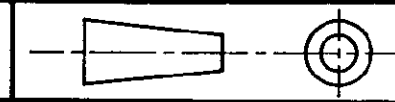
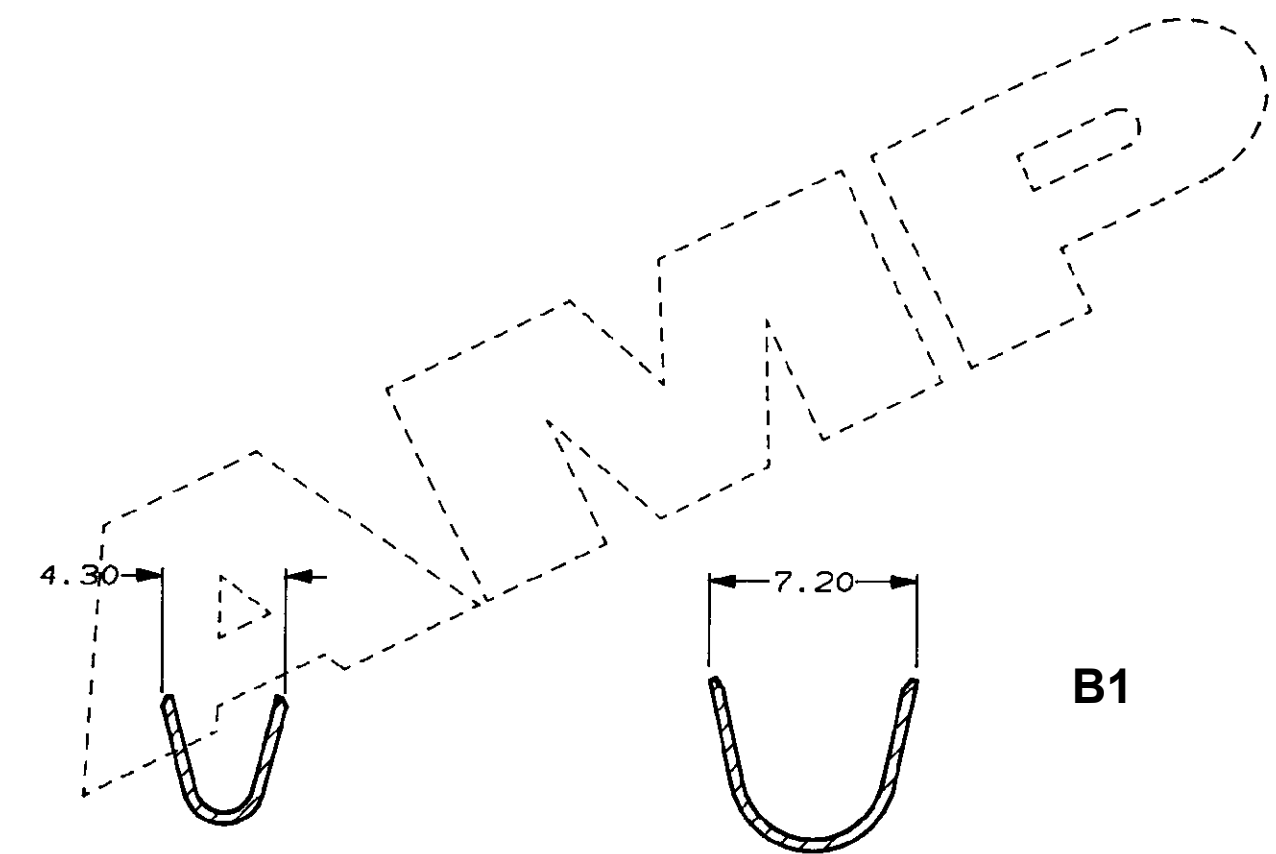
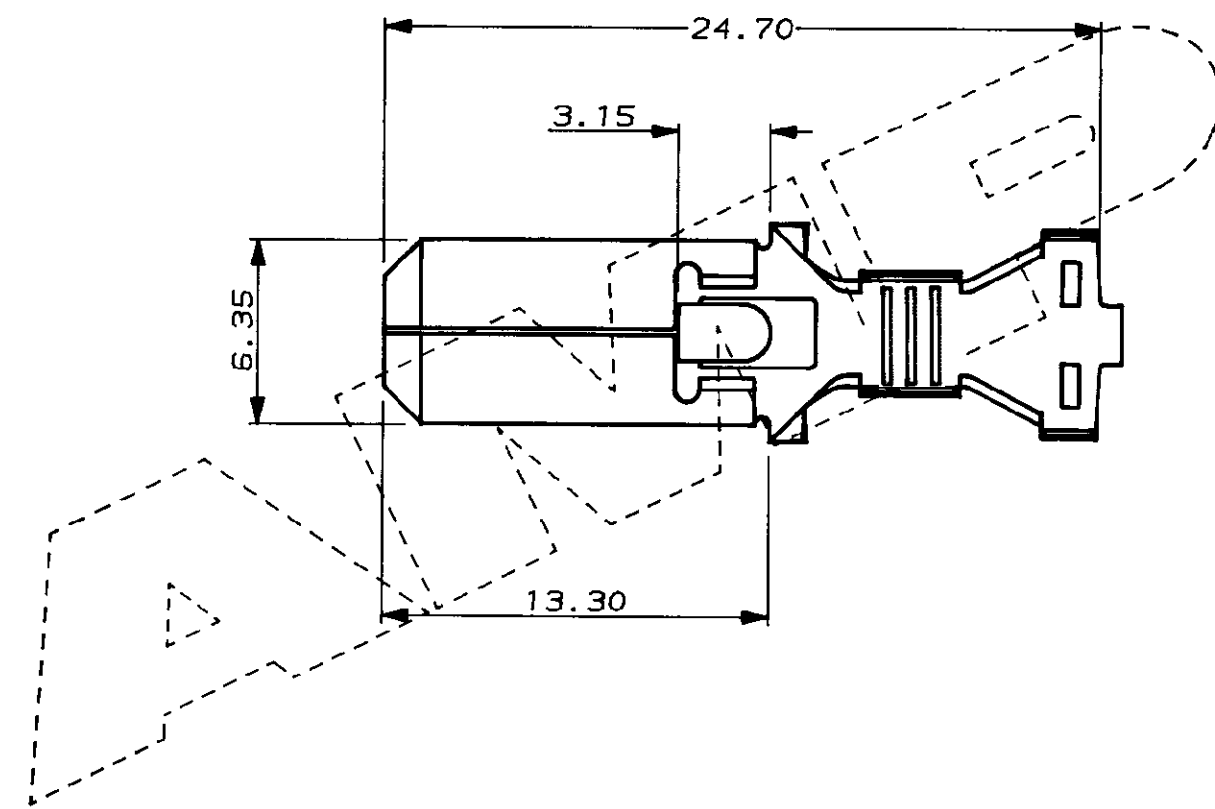


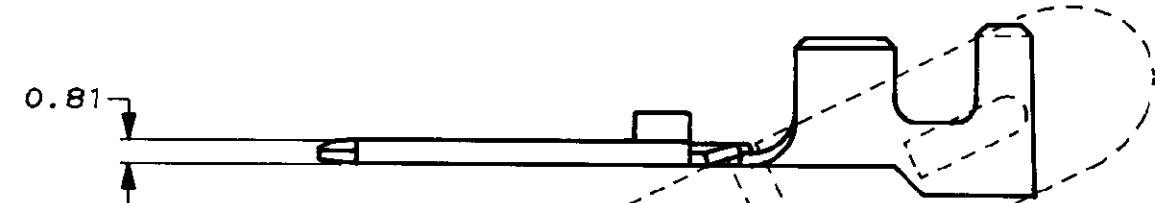
DO NOT SCALE DIMENSIONS IN MM.



C.A.D. FILE CODE
C344008



B1



WIRE RANGE 2.00 TO 3.00 MM²
 INS. RANGE 4.10 TO 5.50 MM DIA. INC. SEAL
 (ONLY THIN WALLED CABLE 2.20 TO 3.40 MM DIA. IS SUITABLE)

TIN PLATED		BRASS		344008-1	
FINISH		MATERIAL		PART NUMBER	
CUSTOMER DWG FOR REFERENCE ONLY			©COPYRIGHT 1987 BY AMP OF GREAT BRITAIN LTD. ALL INTERNATIONAL RIGHTS RESERVED. ALL PRODUCTS MAY BE COVERED BY BRITISH AND FOREIGN PATENTS AND/OR PATENTS PENDING.		
B1 ECR-20-001446		SCK 30JAN2020		DR. R. RUNAGALL 23/06/87	
B EBA0-0001-05		RS/MG 20.1.05		CH. R. J. S. APP. B. J.	
A UPDATED		CS241 18.5.89			
O REL. FOR PROD.		C4887 8.3.88			
REV APPROVED		ECN DATE		TE Connectivity	
NAME .250 SERIES TAB HIGH CURRENT ECONOSEAL 3 (SEALED APPLICATIONS)			RELEASED FOR PUBLICATION 23/06/87		
SCALE	LOC	SIZE	DWG. No.	REV	SHEET
4/1	E	A3	C344008	B1	1/1